

MODULE I<sub>Q</sub>max:  
 +5V: 2.1mA,  
 +30V: 15.7mA,  
 +1.3V: 1.5mA.

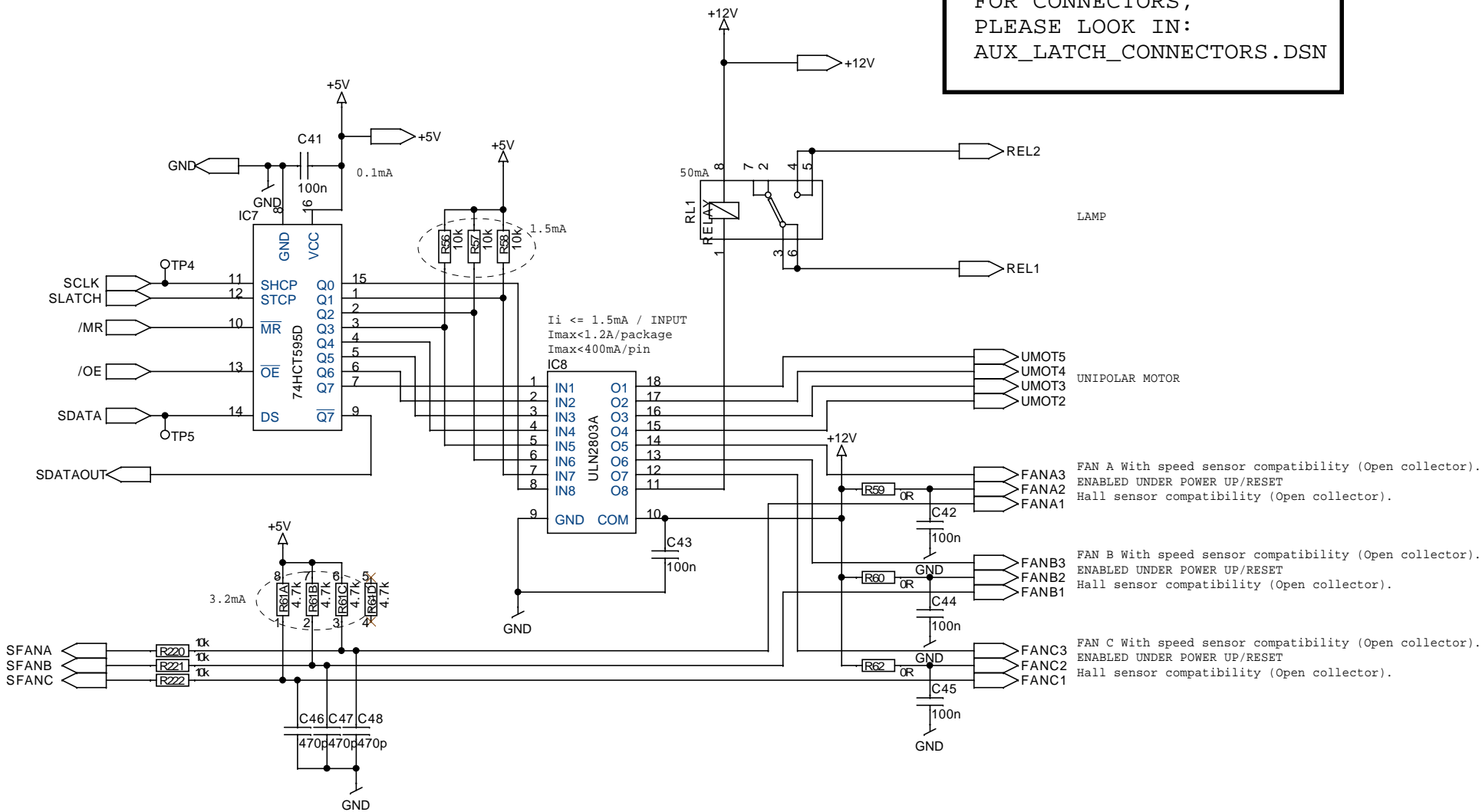
MODULE IQmax:

+5V: 15.3mA  
+12V: 50mA

Corrections:

ADD:  
3x10k resistors

FOR CONNECTORS,  
PLEASE LOOK IN:  
AUX\_LATCH\_CONNECTORS.DSN



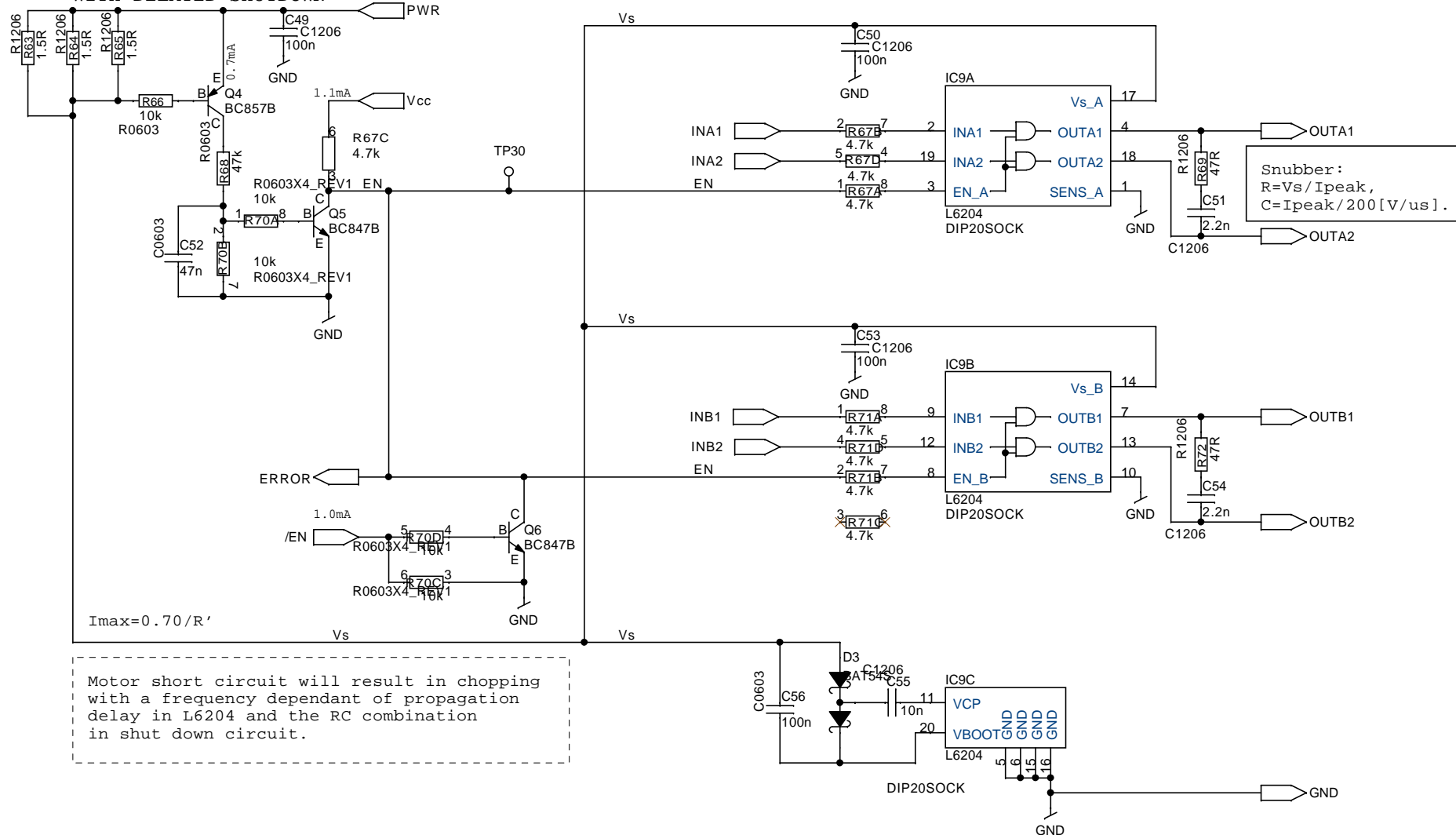
bom-MX 10

<b>Martin</b>	Project Title <b>AUX_LATCH</b>		Drawn By <b>TV</b>
	Size A4	PCB Title <b>Design template</b>	
Date: Tuesday, August 27, 2002		Product Baan Number None	
Sheet <b>2</b> of <b>19</b>			

MODULE IQmax:

+VCC: 2.1mA.  
 +PWR: 10.7mA.  
 Iin(+3.3v): 1.5mA.

OVERLOAD DETECTION  
 WITH DELAYED SHUTDOWN



$I_{max} = 0.70 / R'$

Motor short circuit will result in chopping with a frequency dependant of propagation delay in L6204 and the RC combination in shut down circuit.

Changes from Prototype:

Capacitor over enable transistor is changed from 100n to 47n (minimum X7R)  
 Sense resistors is changed from two 1.0 ohm to tree 1.5 ohms.

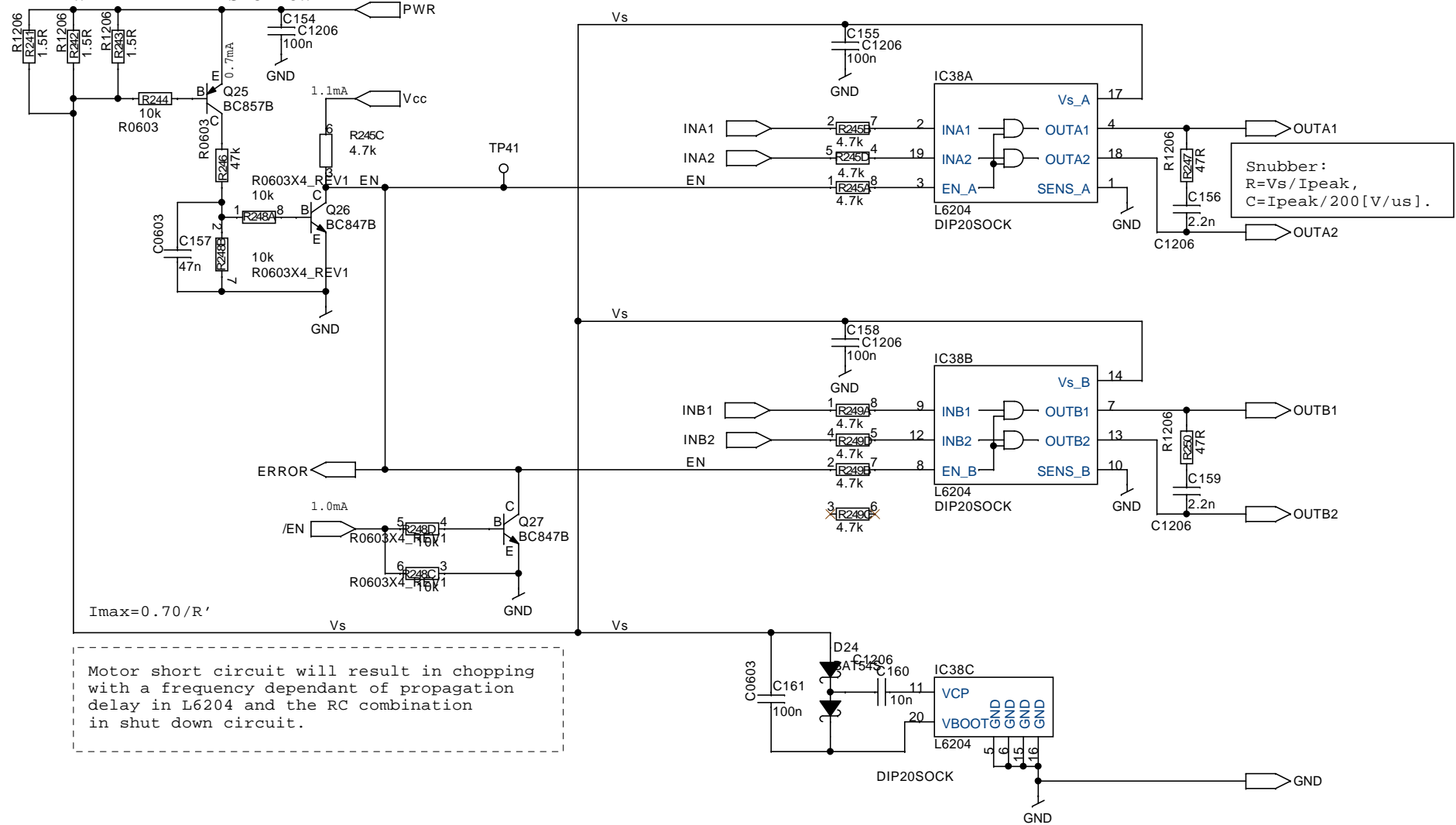
bom-MX 10

	Project Title		Drawn By
	<b>L6204_DRIVER</b>		<b>TV</b>
Size A4	PCB Title		Rev C
		<b>Design template</b>	
Date: Tuesday, August 27, 2002		Product Baan Number None	
Sheet 3 of 19			

MODULE IQmax:

+VCC: 2.1mA.  
 +PWR: 10.7mA.  
 Iin(+3.3v): 1.5mA.

OVERLOAD DETECTION  
 WITH DELAYED SHUTDOWN



Changes from Prototype:

Capacitor over enable transistor is changed from 100n to 47n (minimum X7R)  
 Sense resistors is changed from two 1.0 ohm to tree 1.5 ohms.

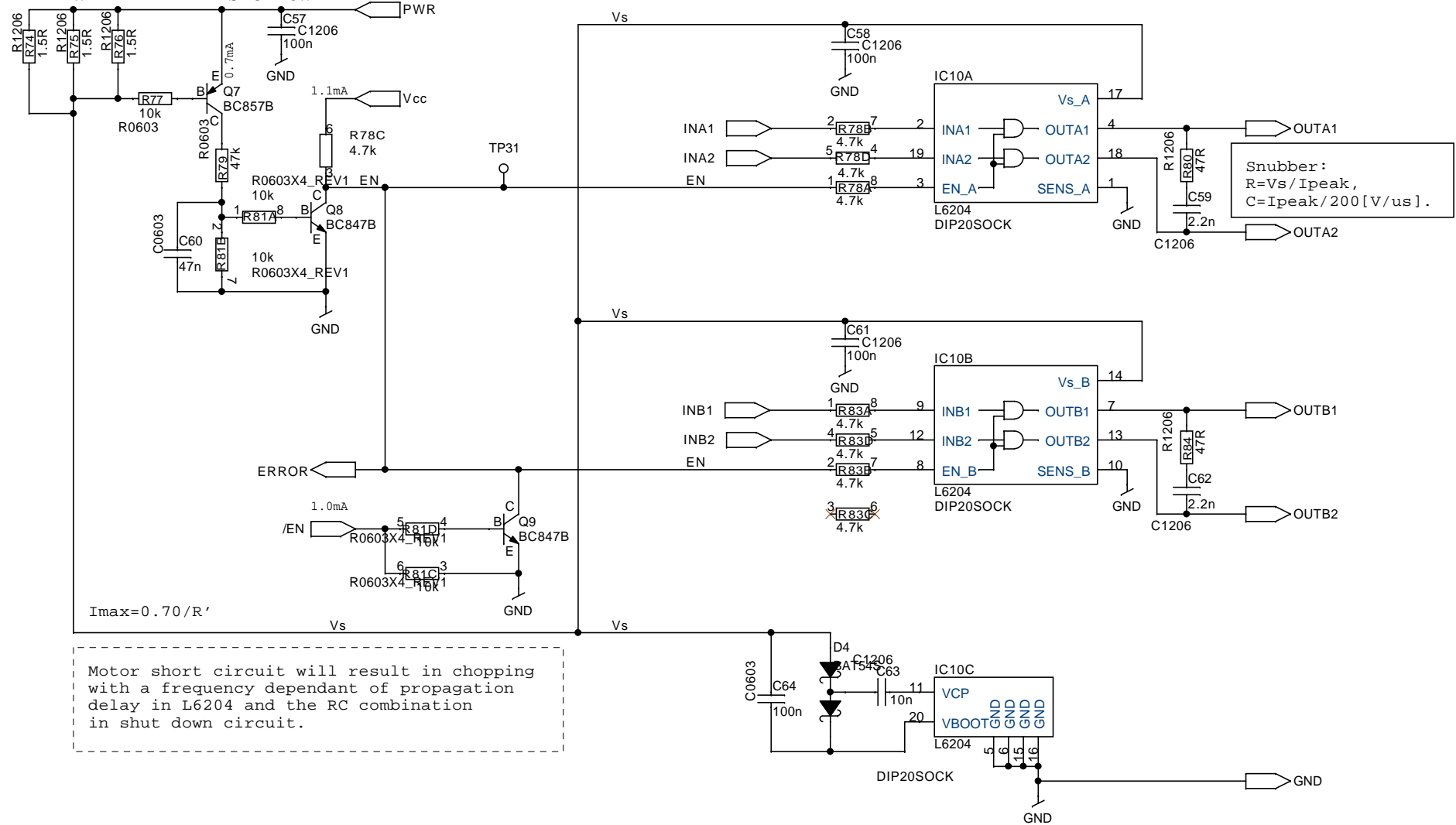
bom-MX 10

	Project Title		Drawn By
	<b>L6204_DRIVER</b>		<b>TV</b>
Size A4	PCB Title		Rev
	<b>Design template</b>		<b>C</b>
Date:		Product Baan Number	
Tuesday, August 27, 2002		None	
Sheet 4 of 19			

MODULE IQmax:

+VCC: 2.1mA.  
 +PWR: 10.7mA.  
 Iin(+3.3v): 1.5mA.

OVERLOAD DETECTION  
 WITH DELAYED SHUTDOWN



Changes from Prototype:

Capacitor over enable transistor is changed from 100n to 47n (minimum X7R)  
 Sense resistors is changed from two 1.0 ohm to tree 1.5 ohms.

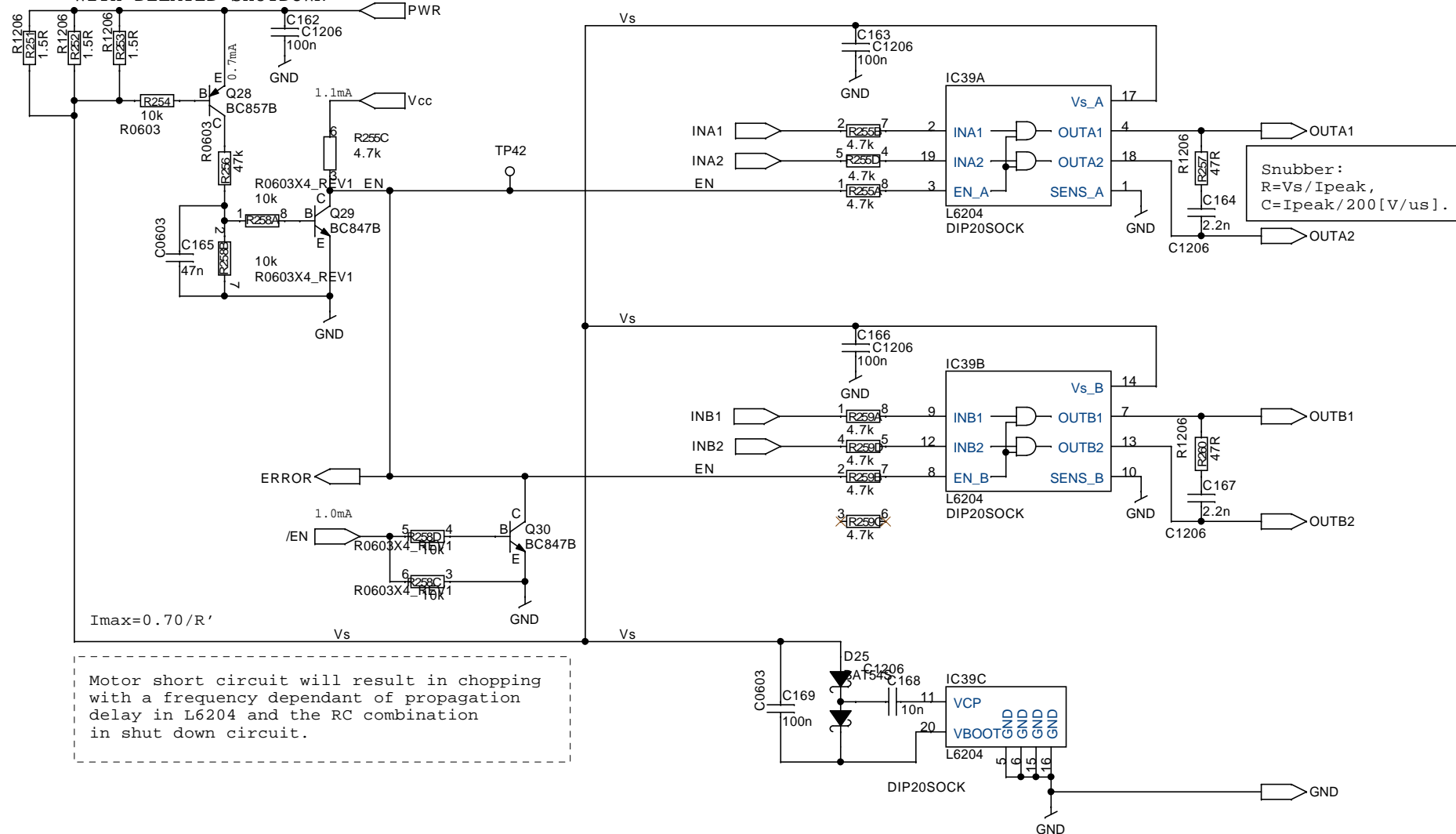
bom-MX 10

	Project Title		Drawn By
	<b>L6204_DRIVER</b>		<b>TV</b>
Size A4	PCB Title		Rev C
<b>Design template</b>			
Date:		Product Baan Number	
Tuesday, August 27, 2002		None	
Sheet 5 of 19			

MODULE IQmax:

+VCC: 2.1mA.  
 +PWR: 10.7mA.  
 Iin(+3.3v): 1.5mA.

OVERLOAD DETECTION  
 WITH DELAYED SHUTDOWN



$I_{max} = 0.70 / R'$

Motor short circuit will result in chopping with a frequency dependant of propagation delay in L6204 and the RC combination in shut down circuit.

Changes from Prototype:

Capacitor over enable transistor is changed from 100n to 47n (minimum X7R)  
 Sense resistors is changed from two 1.0 ohm to tree 1.5 ohms.

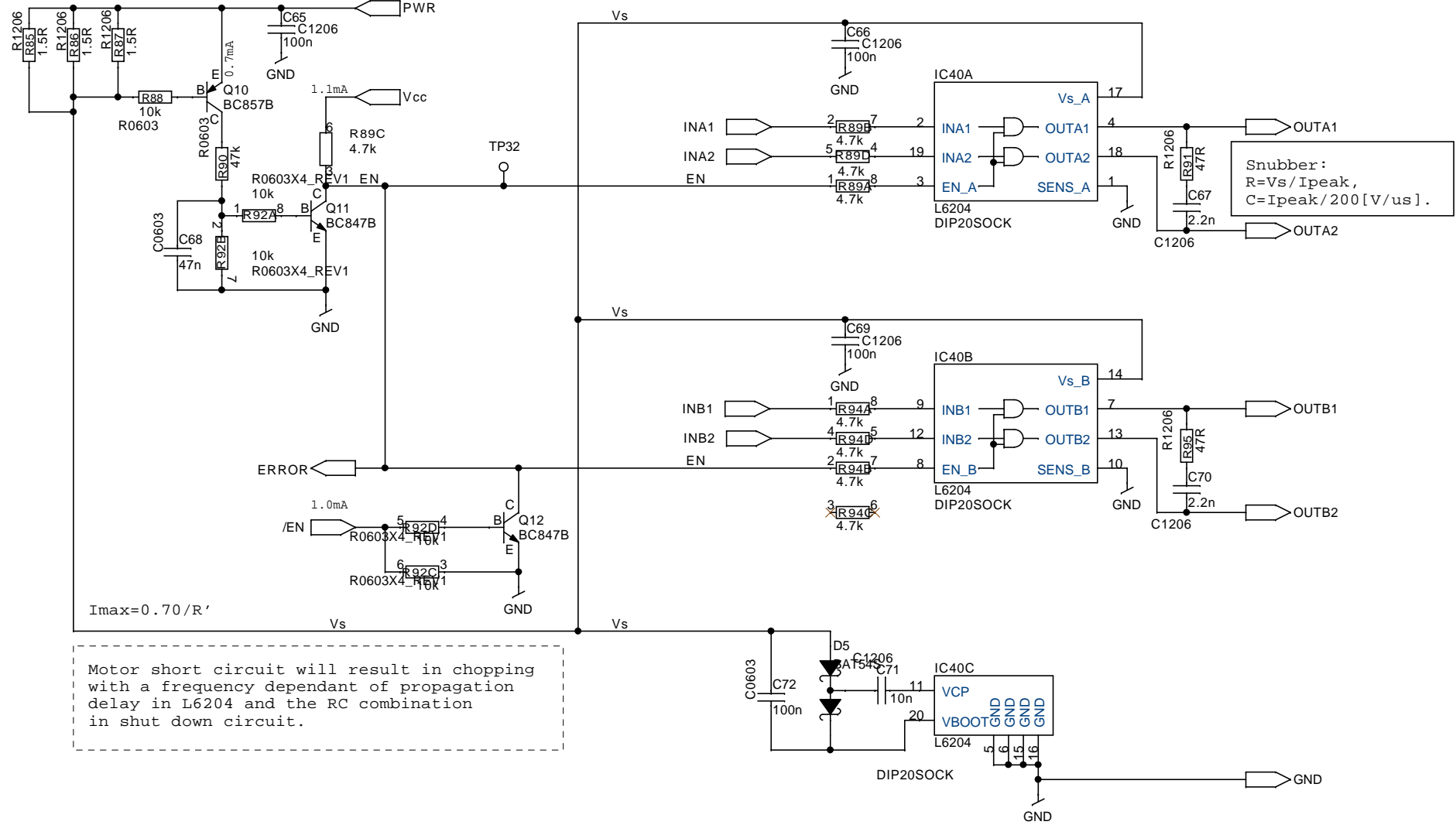
bom-MX 10

	Project Title		Drawn By
	<b>L6204_DRIVER</b>		<b>TV</b>
Size A4	PCB Title		Rev
	<b>Design template</b>		<b>C</b>
Date:		Product Baan Number	
Tuesday, August 27, 2002		None	
Sheet 6 of 19			

MODULE IQmax:

+VCC: 2.1mA.  
 +PWR: 10.7mA.  
 Iin(+3.3v): 1.5mA.

OVERLOAD DETECTION  
 WITH DELAYED SHUTDOWN

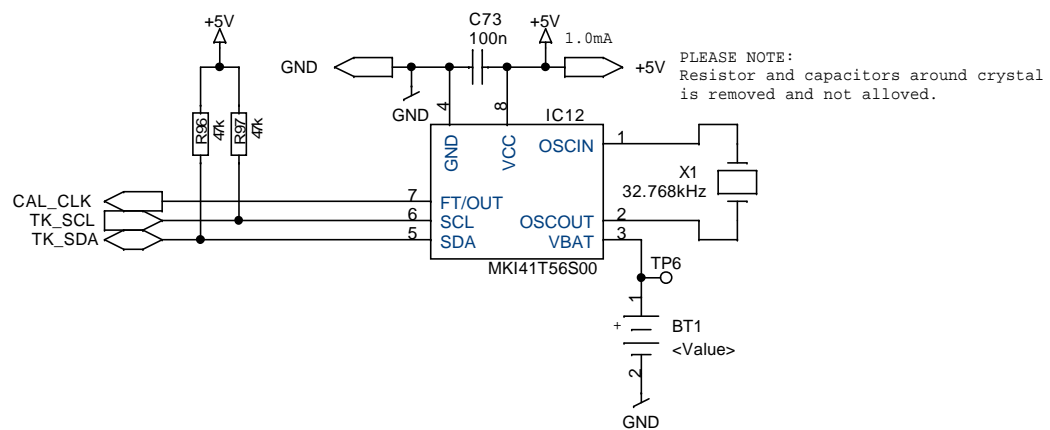


Changes from Prototype:

Capacitor over enable transistor is changed from 100n to 47n (minimum X7R)  
 Sense resistors is changed from two 1.0 ohm to tree 1.5 ohms.

bom-MX 10

	Project Title		Drawn By
	<b>L6204_DRIVER</b>		<b>TV</b>
Size A4	PCB Title		Rev
	<b>Design template</b>		<b>C</b>
Date:		Product Baan Number	
Tuesday, August 27, 2002		None	
Sheet 7 of 19			



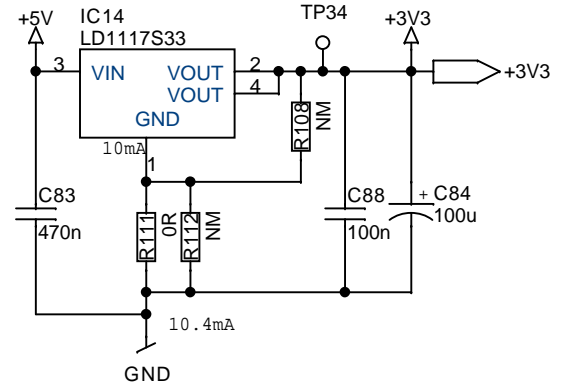
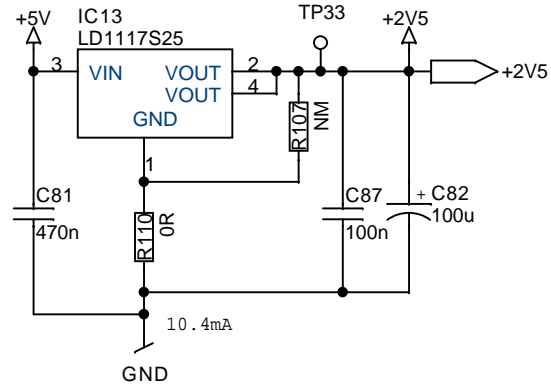
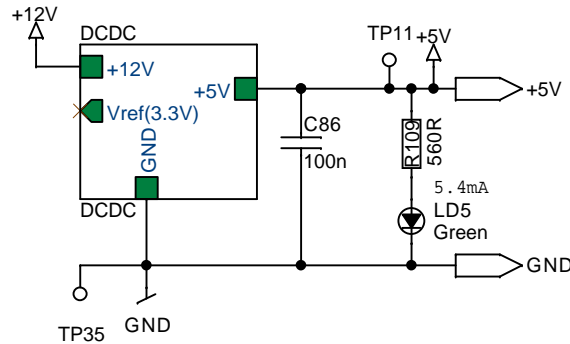
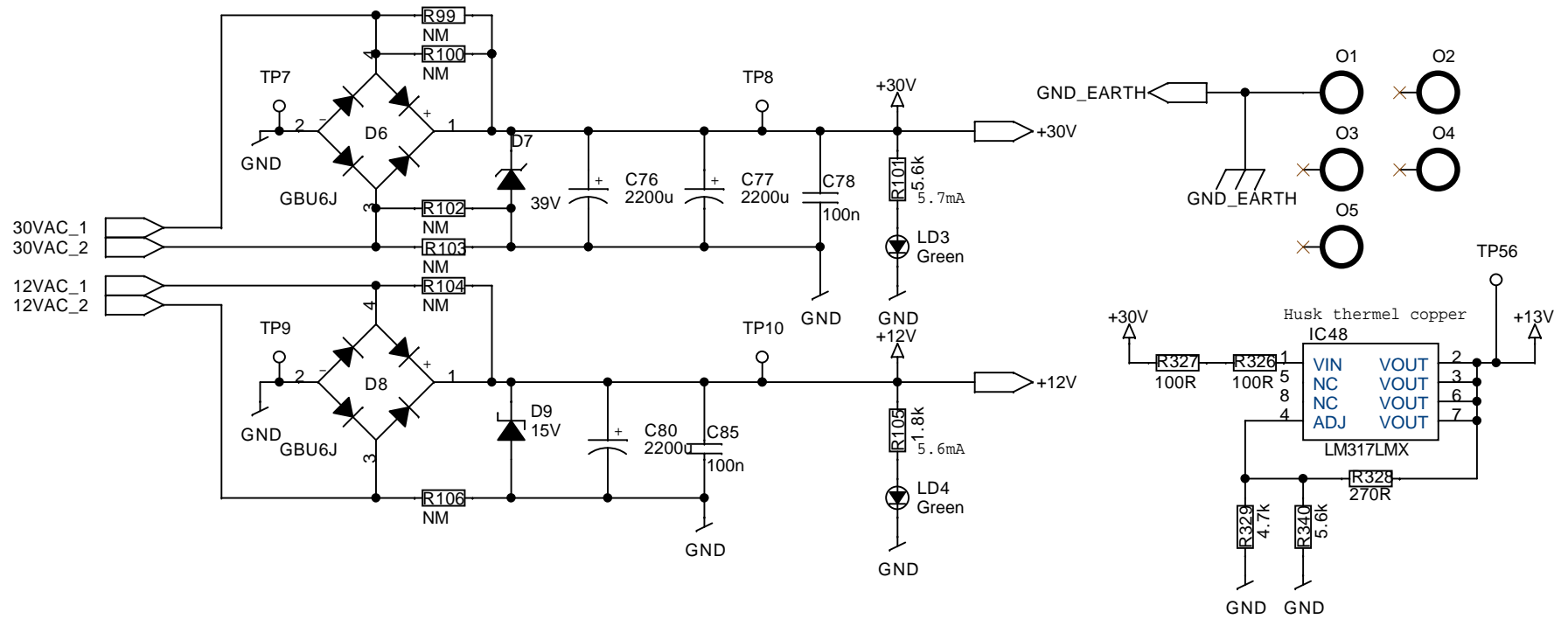
bom-MX 10

	Project Title		Drawn By
	<b>REAL TIME CLOCK</b>		<b>TV</b>
Size A4	PCB Title		Rev
	<b>Design template</b>		<b>C</b>
Sheet <b>8</b> of <b>19</b>	Date:	Product Baan Number	
	Tuesday, August 27, 2002	None	



MODULE I<sub>Q</sub>max:

- +5V: 5.7mA
- +12V: 5.6mA
- +30V: 5.7mA
- +2.5V: 10.4mA
- +3.3V: 10.4mA



Changes from prototype:

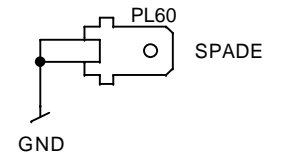
Not mounted:  
R107, R108, R112, R99, R100, R102, R103, R104, R106

Footprint changes:  
R105, R107, R108, R109, R110, R111, C81, C83

Value:  
R81, C83

NET:  
VRP for flash boot blok write enable.

Deleted:  
IC15.



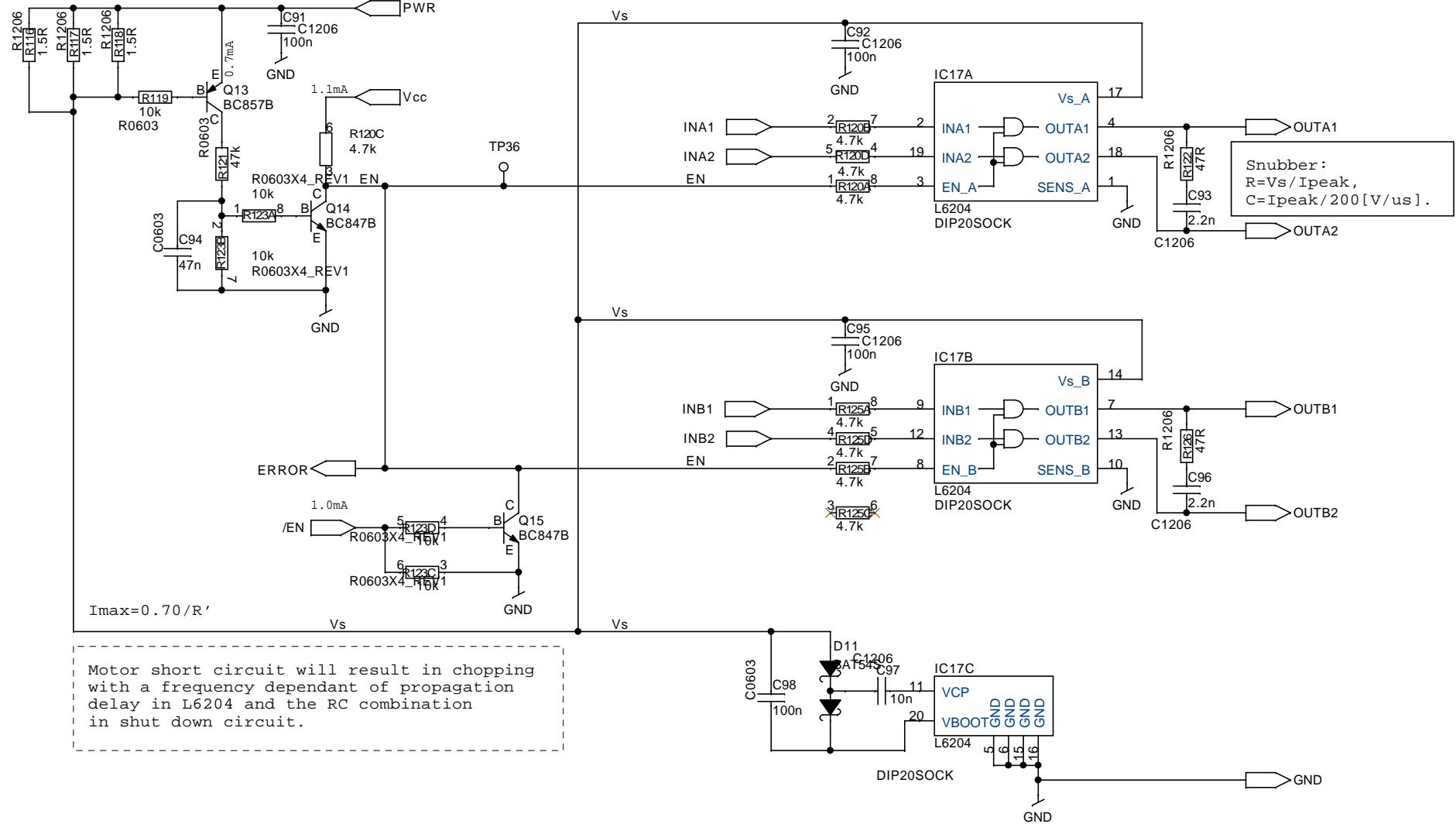
bom-MX 10

<b>Martin</b>	Project Title		Drawn By
	<b>MINIMAC PSU</b>		<b>TV</b>
Size A	PCB Title		Rev
	<b>PSU</b>		<b>C</b>
Date:		Product Baan Number	
Sheet <b>9</b> of <b>19</b>		Thursday, August 29, 2002	01001521

MODULE IQmax:

+VCC: 2.1mA.  
 +PWR: 10.7mA.  
 Iin(+3.3v): 1.5mA.

OVERLOAD DETECTION  
 WITH DELAYED SHUTDOWN



$I_{max} = 0.70 / R'$

Changes from Prototype:

Capacitor over enable transistor is changed from 100n to 47n (minimum X7R)  
 Sense resistors is changed from two 1.0 ohm to tree 1.5 ohms.

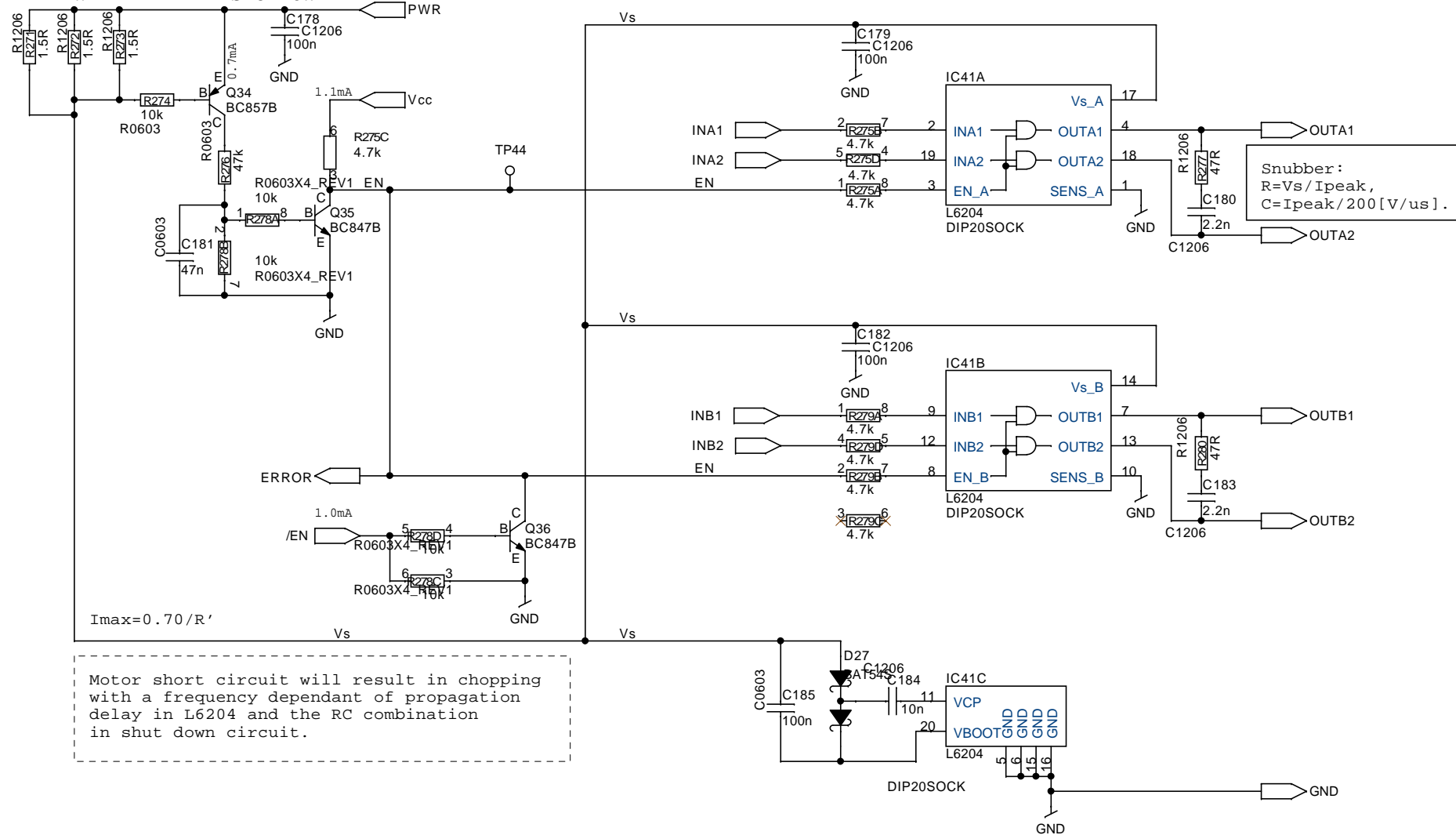
bom-MX 10

	Project Title		Drawn By
	<b>L6204_DRIVER</b>		<b>TV</b>
Size A4	PCB Title		Rev C
<b>Design template</b>			
Date: Tuesday, August 27, 2002		Product Baan Number None	
Sheet 10 of 19			

MODULE IQmax:

+VCC: 2.1mA.  
 +PWR: 10.7mA.  
 Iin(+3.3v): 1.5mA.

OVERLOAD DETECTION  
 WITH DELAYED SHUTDOWN



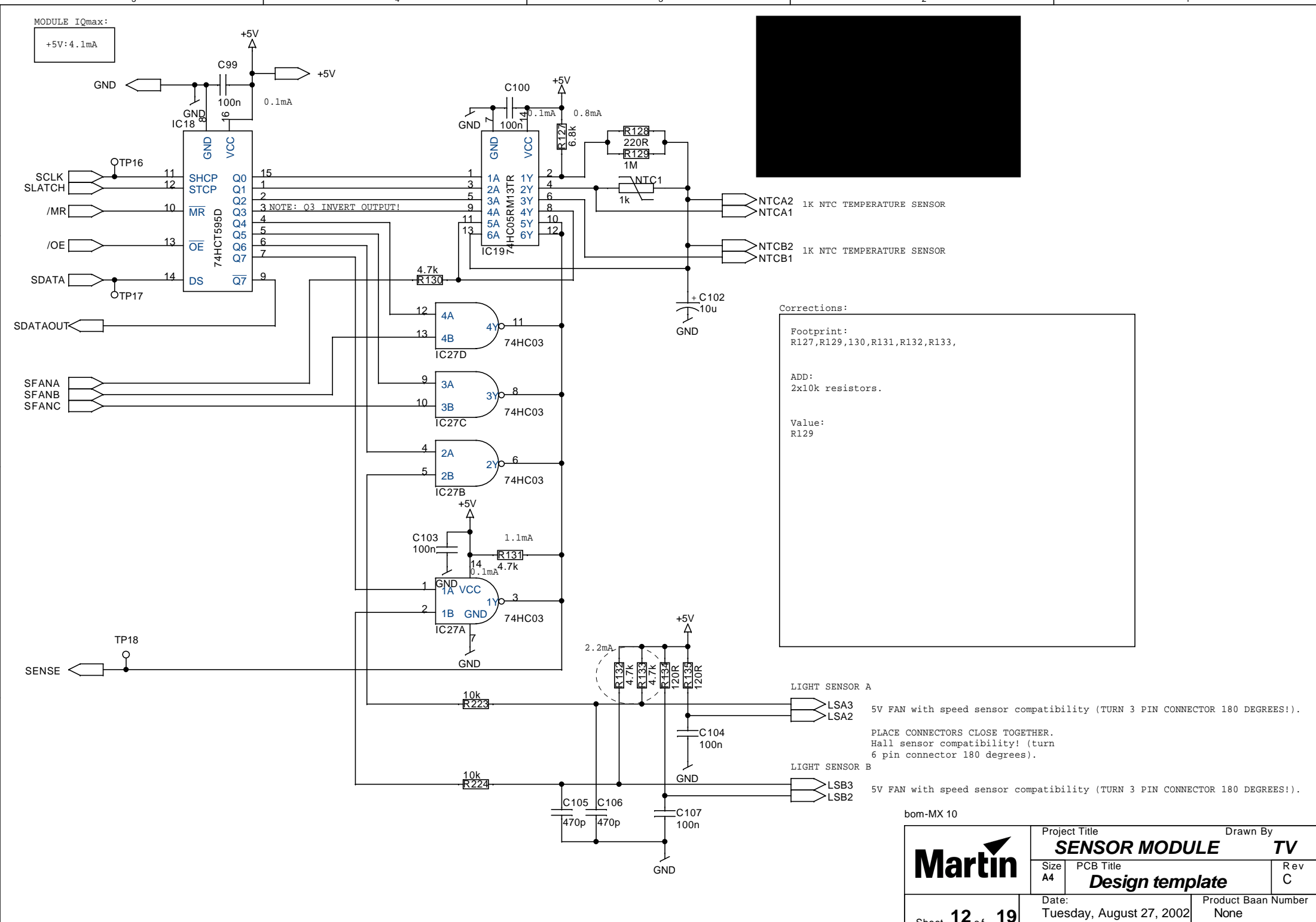
Motor short circuit will result in chopping with a frequency dependant of propagation delay in L6204 and the RC combination in shut down circuit.

Changes from Prototype:

Capacitor over enable transistor is changed from 100n to 47n (minimum X7R)  
 Sense resistors is changed from two 1.0 ohm to tree 1.5 ohms.

bom-MX 10

	Project Title		Drawn By
	<b>L6204_DRIVER</b>		<b>TV</b>
Size A4	PCB Title		Rev C
<b>Design template</b>			
Date: Tuesday, August 27, 2002		Product Baan Number None	
Sheet 11 of 19			



Corrections:

Footprint:  
R127,R129,130,R131,R132,R133,

ADD:  
2x10k resistors.

Value:  
R129

LIGHT SENSOR A  
LSA3  
LSA2  
5V FAN with speed sensor compatibility (TURN 3 PIN CONNECTOR 180 DEGREES!).

PLACE CONNECTORS CLOSE TOGETHER.  
Hall sensor compatibility! (turn 6 pin connector 180 degrees).

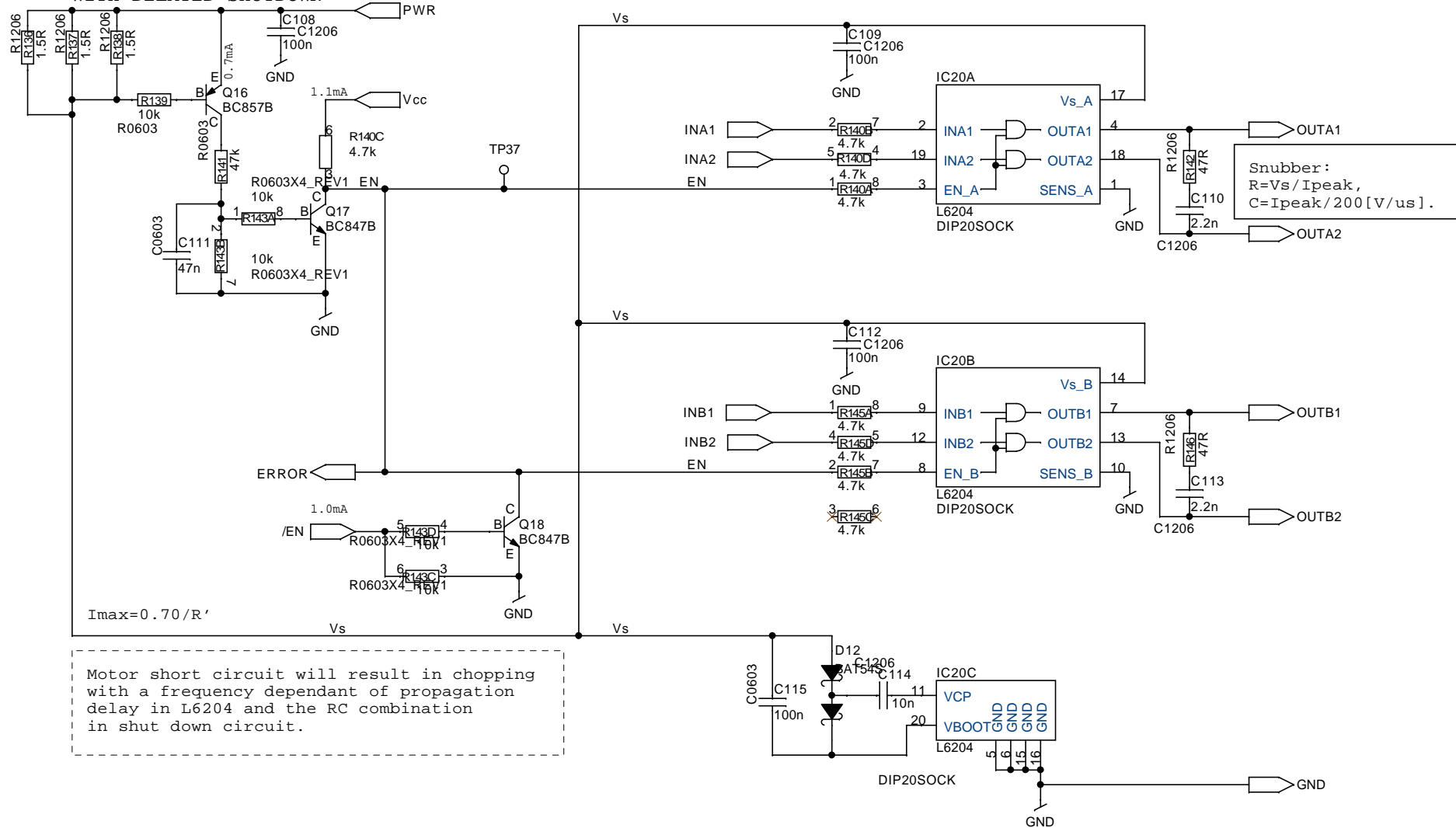
LIGHT SENSOR B  
LSB3  
LSB2  
5V FAN with speed sensor compatibility (TURN 3 PIN CONNECTOR 180 DEGREES!).

bom-MX 10

	Project Title		Drawn By
	<b>SENSOR MODULE</b>		<b>TV</b>
Size A4	PCB Title		Rev C
<b>Design template</b>		Date:	Product Baan Number
Sheet <b>12</b> of <b>19</b>		Tuesday, August 27, 2002	None

MODULE IQmax:  
 +VCC: 2.1mA.  
 +PWR: 10.7mA.  
 Iin(+3.3v): 1.5mA.

OVERLOAD DETECTION  
 WITH DELAYED SHUTDOWN



$I_{max} = 0.70 / R'$

Motor short circuit will result in chopping with a frequency dependant of propagation delay in L6204 and the RC combination in shut down circuit.

Changes from Prototype:

Capacitor over enable transistor is changed from 100n to 47n (minimum X7R)  
 Sense resistors is changed from two 1.0 ohm to tree 1.5 ohms.

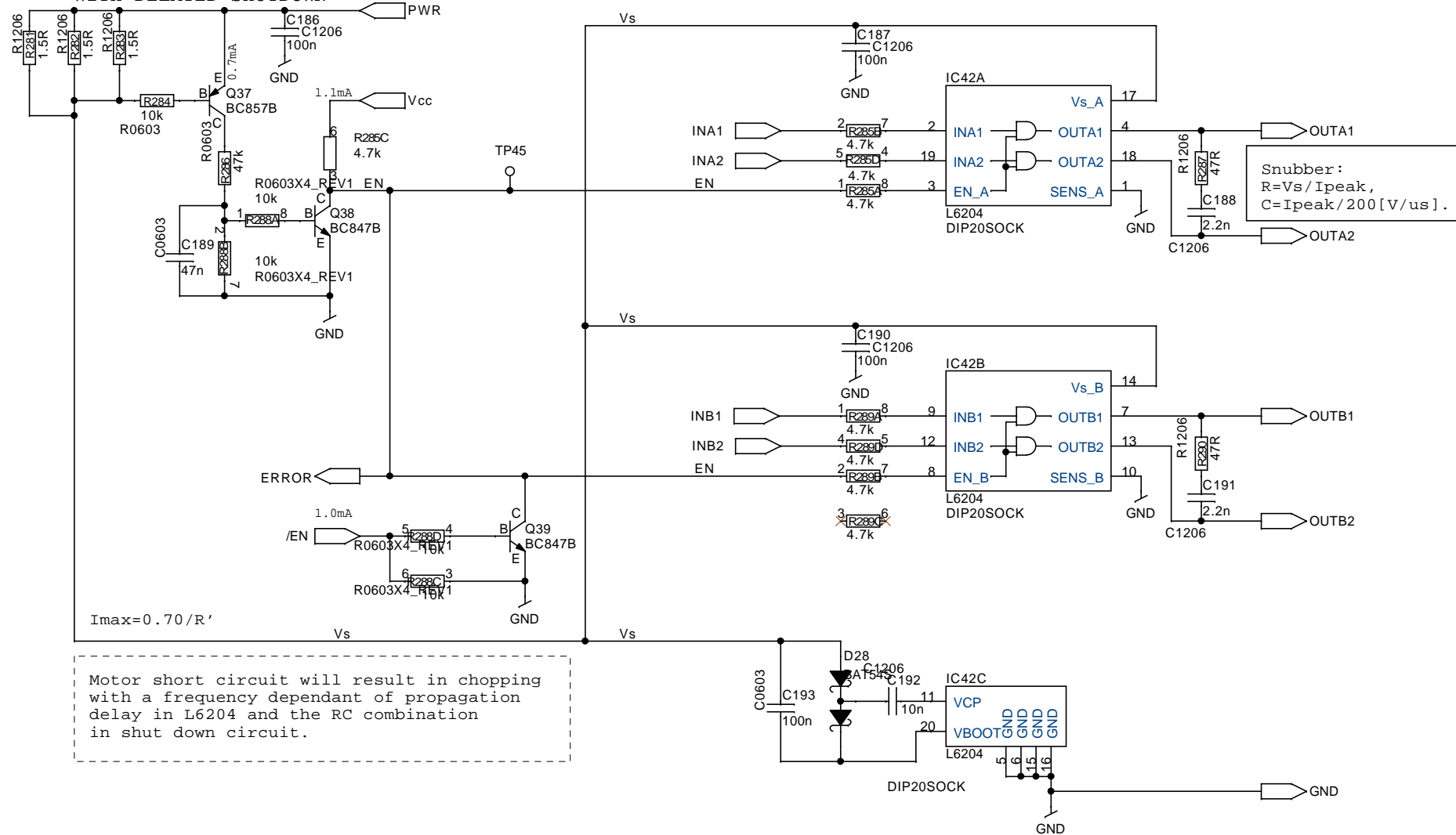
bom-MX 10

	Project Title		Drawn By
	<b>L6204_DRIVER</b>		<b>TV</b>
Size A4	PCB Title		Rev C
<b>Design template</b>			
Date: Tuesday, August 27, 2002		Product Baan Number None	
Sheet 13 of 19			

MODULE IQmax:

+VCC: 2.1mA.  
 +PWR: 10.7mA.  
 Iin(+3.3v): 1.5mA.

OVERLOAD DETECTION  
 WITH DELAYED SHUTDOWN



$I_{max} = 0.70 / R'$

Changes from Prototype:

Capacitor over enable transistor is changed from 100n to 47n (minimum X7R)  
 Sense resistors is changed from two 1.0 ohm to tree 1.5 ohms.

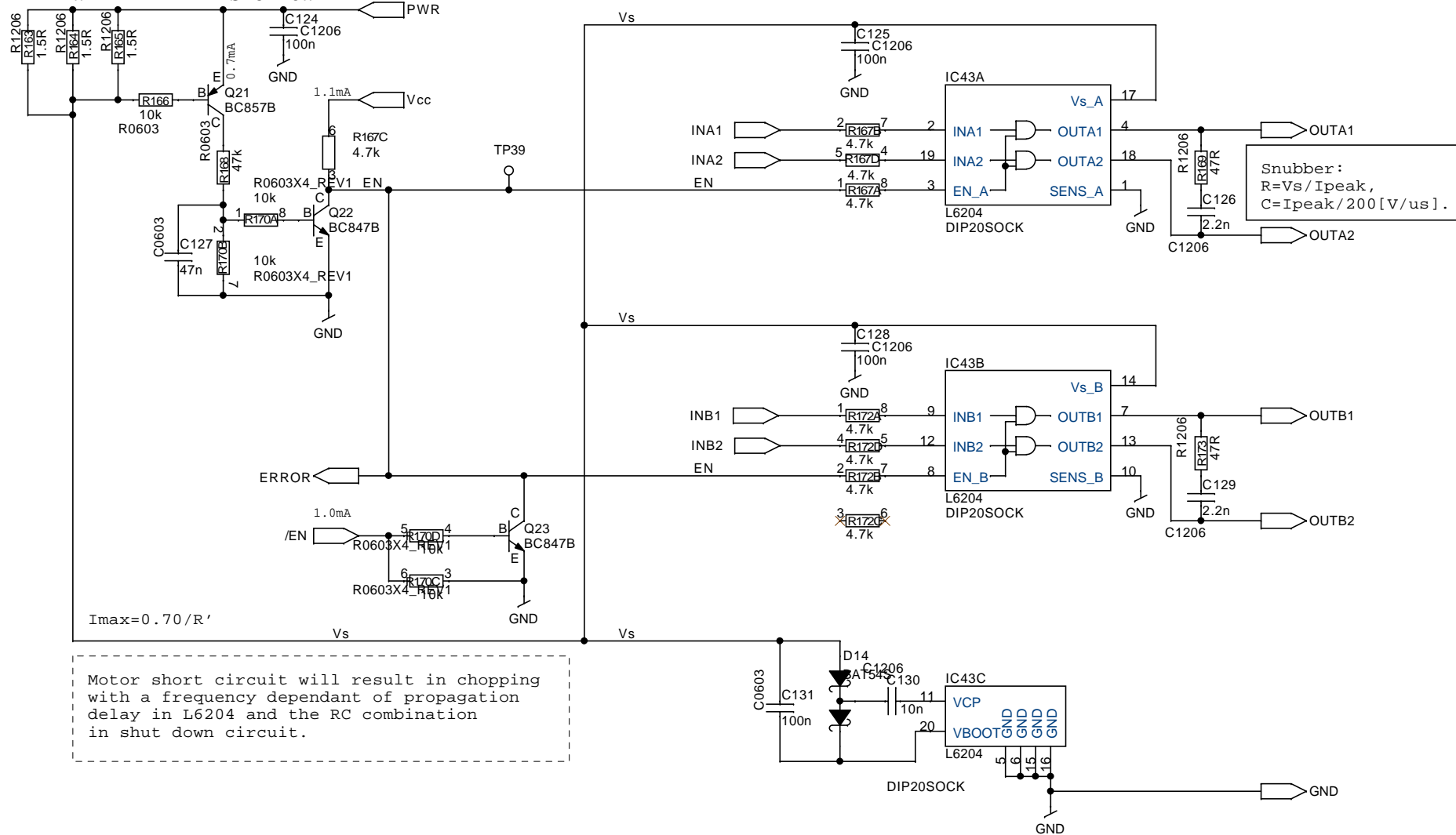
bom-MX 10

	Project Title		Drawn By
	<b>L6204_DRIVER</b>		<b>TV</b>
Size A4	PCB Title		Rev C
		<b>Design template</b>	
Date: Tuesday, August 27, 2002		Product Baan Number None	
Sheet 14 of 19			

MODULE IQmax:

+VCC: 2.1mA.  
 +PWR: 10.7mA.  
 Iin(+3.3v): 1.5mA.

OVERLOAD DETECTION  
 WITH DELAYED SHUTDOWN

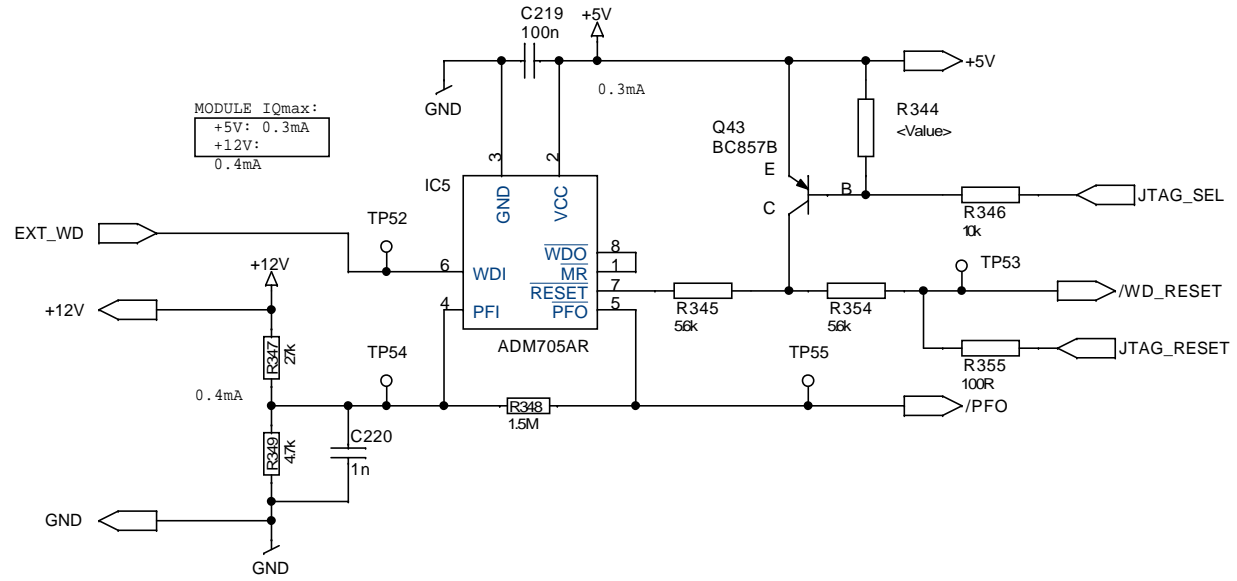


Changes from Prototype:

Capacitor over enable transistor is changed from 100n to 47n (minimum X7R)  
 Sense resistors is changed from two 1.0 ohm to tree 1.5 ohms.

bom-MX 10

	Project Title		Drawn By
	<b>L6204_DRIVER</b>		<b>TV</b>
Size A4	PCB Title		Rev C
<b>Design template</b>			
Date: Tuesday, August 27, 2002		Product Baan Number None	
Sheet 15 of 19			

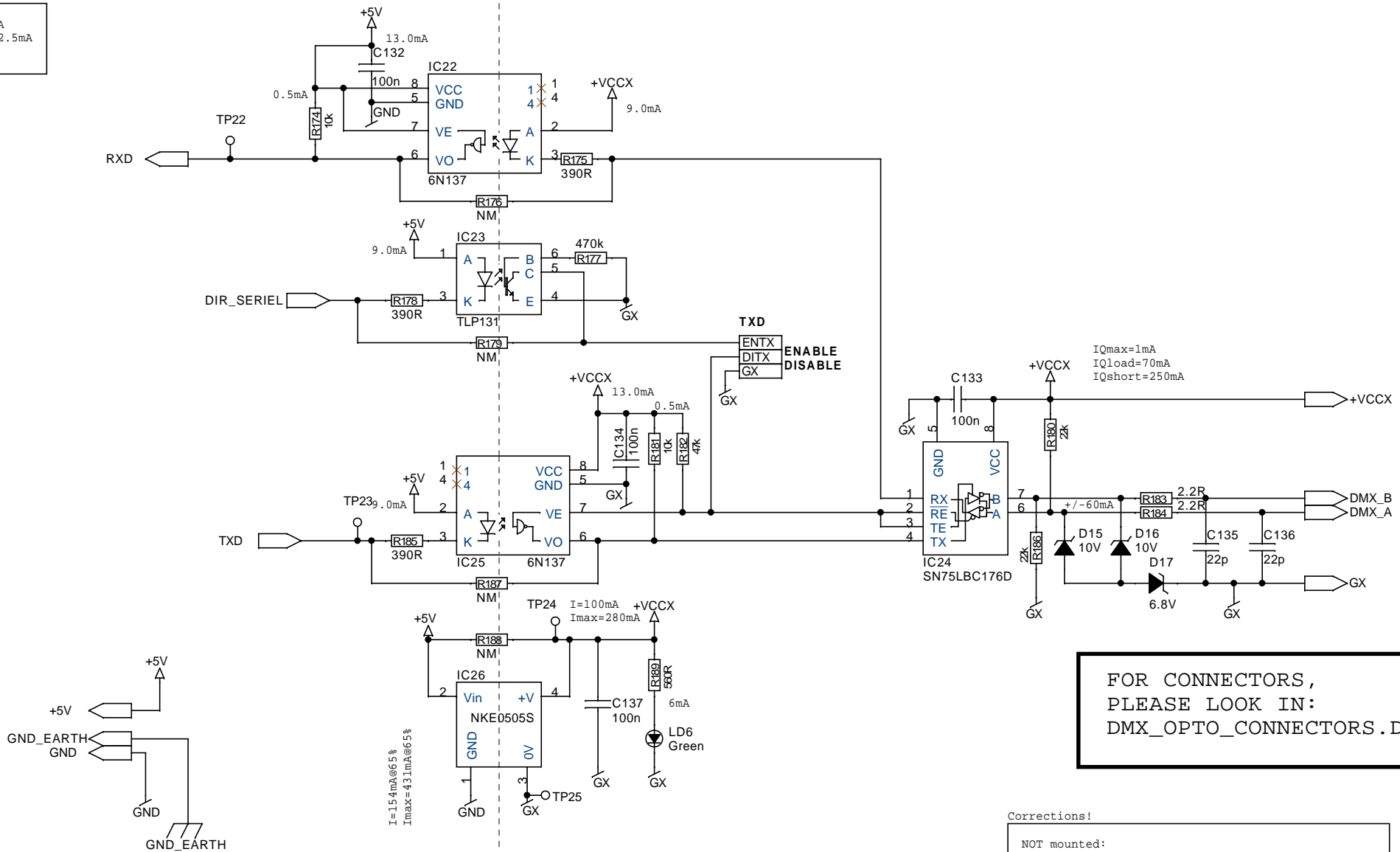


bom-MX 10

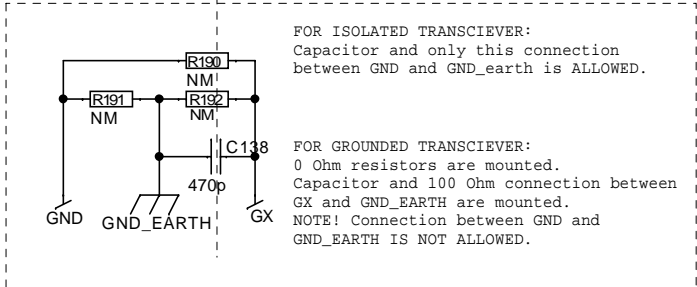
	Project Title		Drawn By
	<b>WATCH_DOG</b>		<b>TV</b>
Size A4	PCB Title		Rev
	<b>Design template</b>		<b>C</b>
Date:		Product Baan Number	
<b>Monday, September 02, 2002</b>		<b>None</b>	
Sheet <b>16</b> of <b>19</b>			



MODULE IQmax:  
 +5V: 185.5mA  
 +5V: max 462.5mA  
 VCCX: 100mA



FOR CONNECTORS,  
 PLEASE LOOK IN:  
 DMX\_OPTO\_CONNECTORS.DSN



Corrections!  
 NOT mounted:  
 C132, R175, IC22, R177, IC23, R178, C134,  
 IC25, R185, IC188, C137, R191  
 Footprint changes:  
 R175, R178, R185, R189, C138, C135, C136.  
 Value:  
 C135, C136.

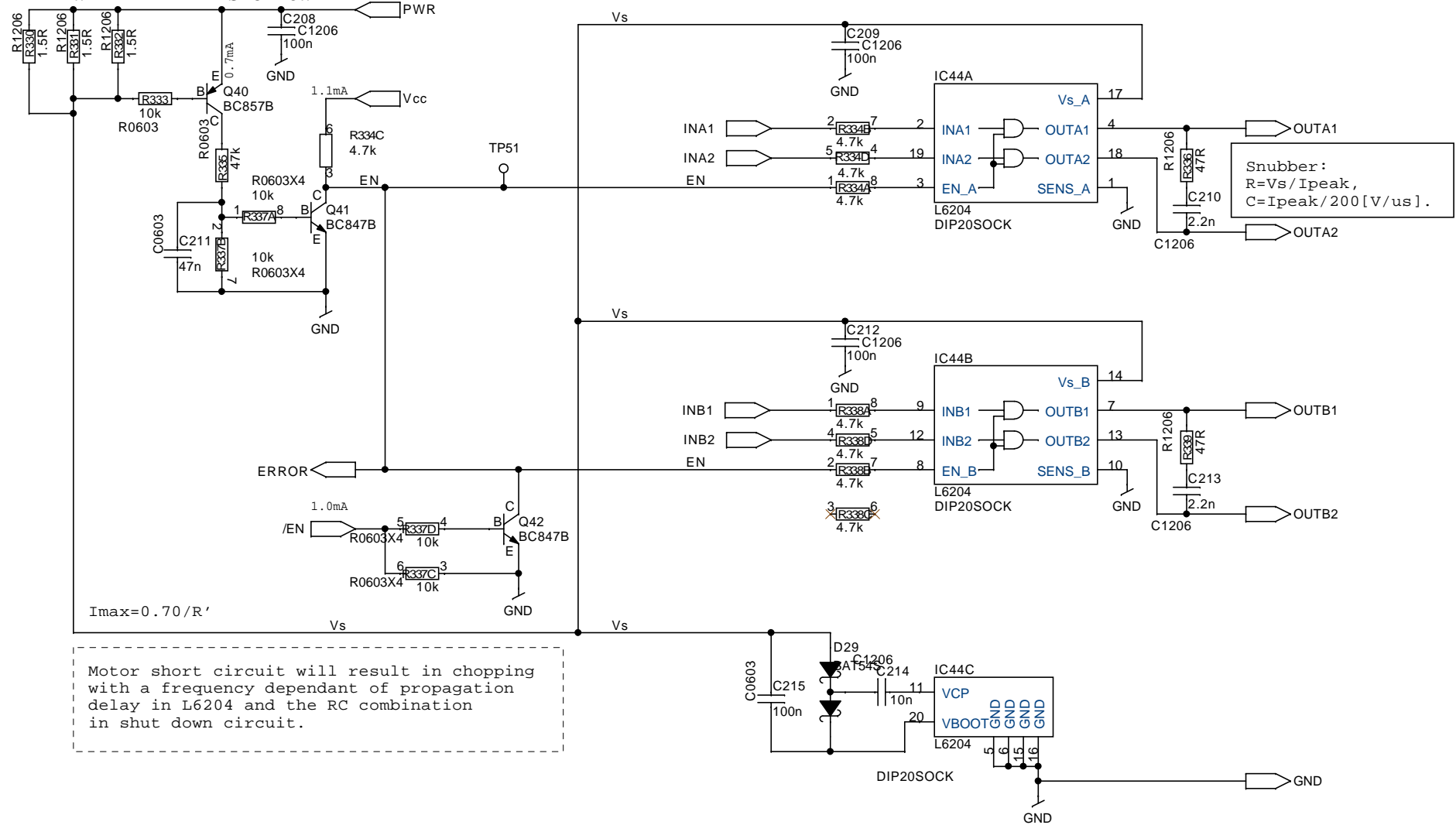
bom-MX 10

	Project Title		Drawn By
	DMX_OPTO		TV
Size A4	PCB Title		Rev C
Design template			
Date: Tuesday, August 27, 2002		Product Baan Number none	
Sheet 17 of 19			

MODULE IQmax:

+VCC: 2.1mA.  
 +PWR: 10.7mA.  
 Iin(+3.3v): 1.5mA.

OVERLOAD DETECTION  
 WITH DELAYED SHUTDOWN



$I_{max} = 0.70 / R'$

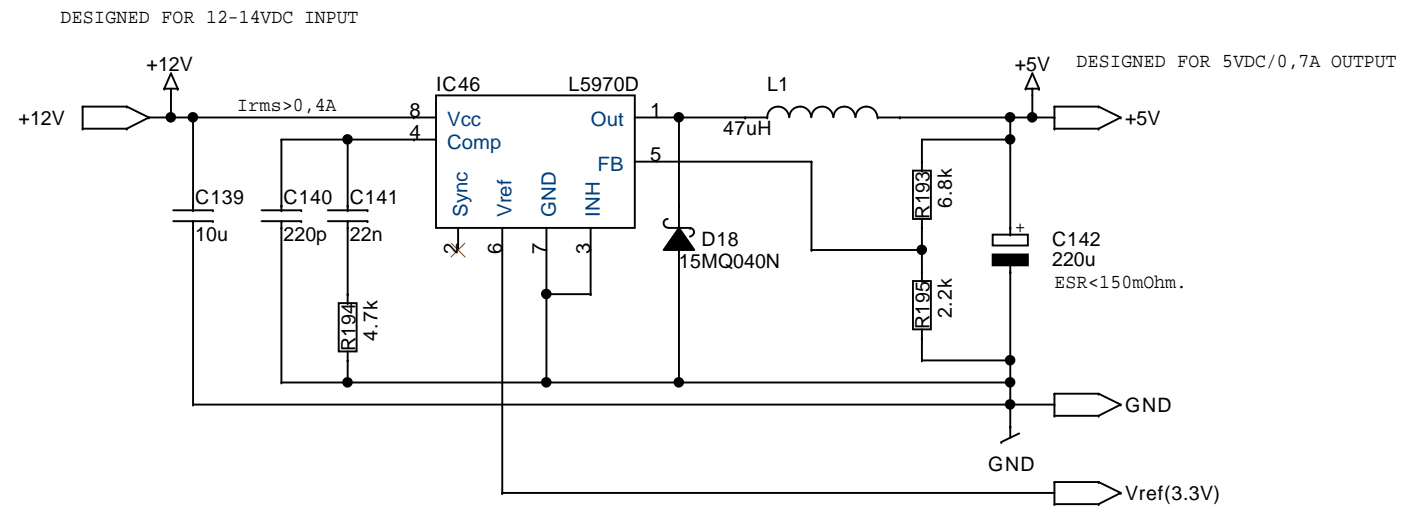
Motor short circuit will result in chopping with a frequency dependant of propagation delay in L6204 and the RC combination in shut down circuit.

Changes from Prototype:

Capacitor over enable transistor is changed from 100n to 47n (minimum X7R)  
 Sense resistors is changed from two 1.0 ohm to tree 1.5 ohms.

bom-MX 10

	Project Title		Drawn By
	<b>L6204_DRIVER</b>		<b>TV</b>
Size A4	PCB Title		Rev C
<b>Design template</b>			
Date: Tuesday, August 27, 2002		Product Baan Number None	
Sheet 18 of 19			



bom-MX 10

<b>Martin</b>	Project Title		Drawn By
	<b>12V to 5V DC/DC</b>		<b>TV</b>
Size A	PCB Title		Rev
	<b>MiniMAC New driver</b>		<b>C</b>
Date:		Product Baan Number	
Tuesday, August 27, 2002		none	
Sheet <b>19</b> of <b>19</b>			